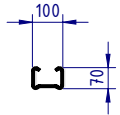


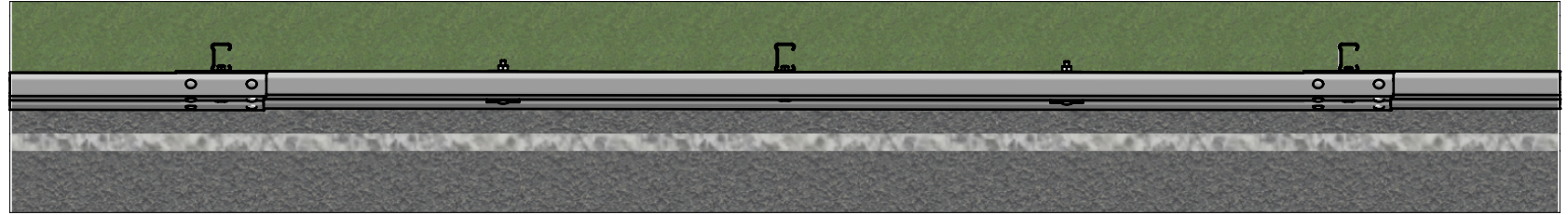
**NOTES:**

1. RAMSHIELD® TO BE CONSTRUCTED IN ACCORDANCE WITH SAFE DIRECTION ASSEMBLY DRAWING SD-RB-01000.

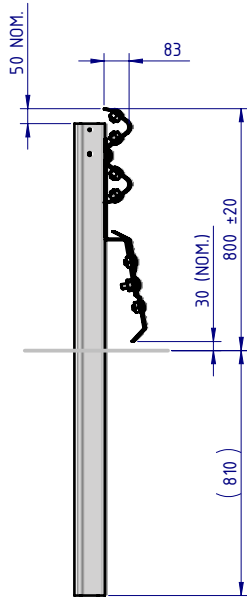
REVISIONS				
REV.	ZONE	DESCRIPTION	DATE	APPV'D
A		Initial Issue, supersedes GR-WB-121	24/05/2022	HW
B		REVISION UPDATED	18/10/2022	HW
C		Added M20 Washer to Biker-Shield Splice Connection	26/03/2025	HW



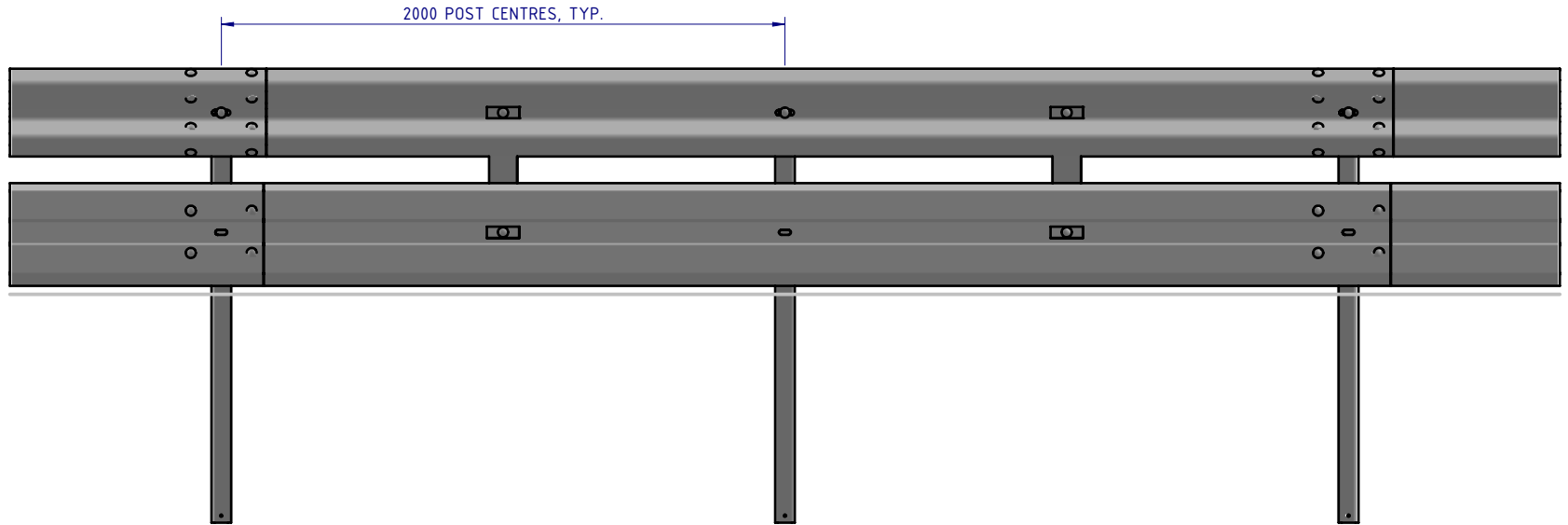
POST PLAN




PLAN VIEW



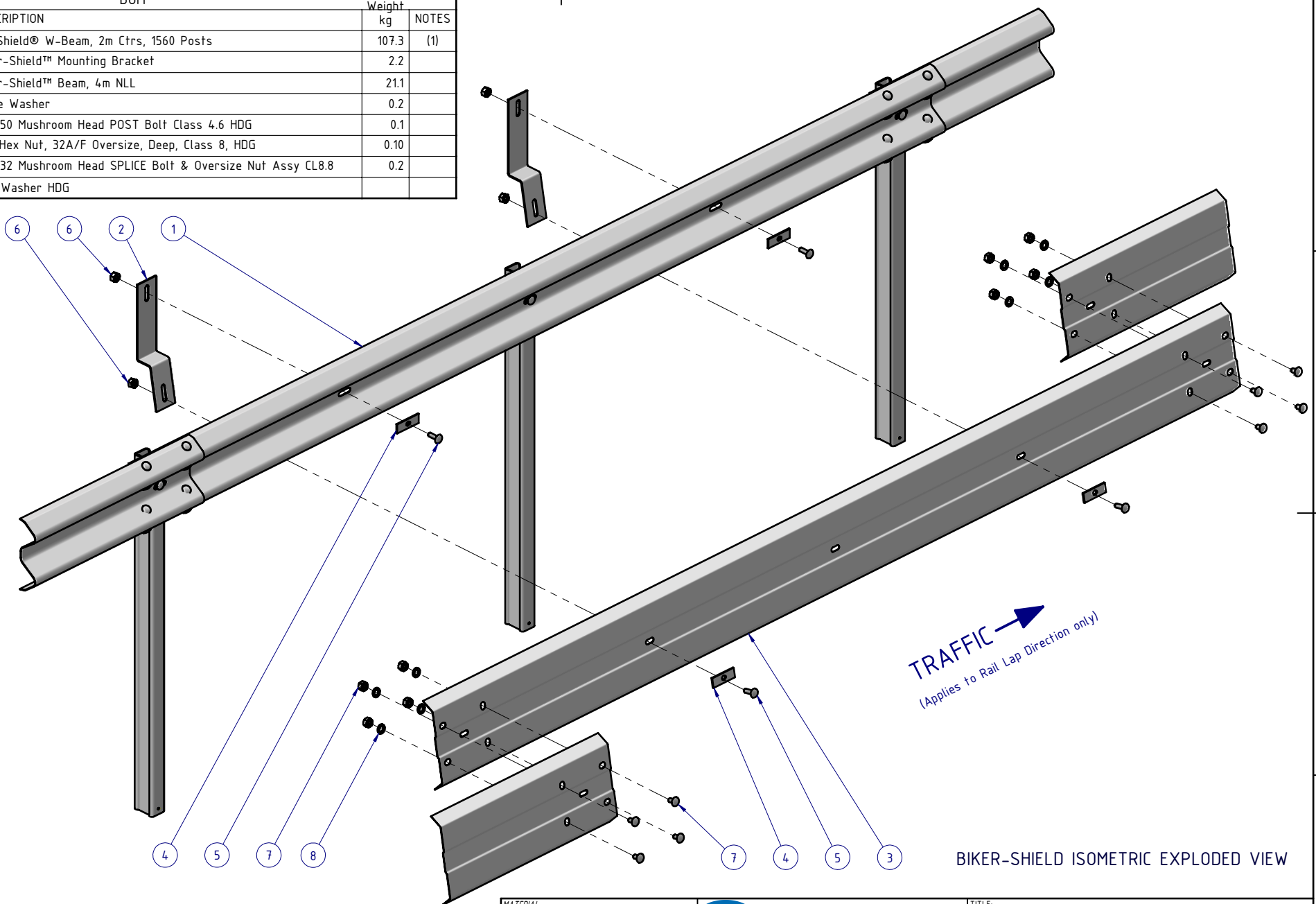
SIDE ELEVATION




FRONT ELEVATION

MATERIAL:			 <p><b>SafeDirection</b> CRASH BARRIER SOLUTIONS</p>	TITLE: Road Barriers - RamShield® W-Beam RamShield® W-Beam, 2m Ctrs, 1560 Posts with Biker-Shield™ General Arrangement		
FINISH:				DWG NO. SD-RB-01022		
STATUS:			COPYRIGHT: All rights reserved. ABN: 53 156 459 684 These drawings, plans and specifications and the copyright therein are the properties of Safe Direction Pty Ltd, and must not be used, reproduced or copied wholly or in part without written permission.			
DRAWN	W. Rogulski	23/05/2022	U.N.O. TOLERANCES: ±1mm ALL DIMENSIONS ARE IN: mm			
CHK'D	T. Colquhoun	18/10/2022	THIRD ANGLE PROJECTION			
APPV'D	H. Wallace	18/10/2022	STATUS: <b>APPROVED</b>			
			WEIGHT: 145.0kg	DO NOT SCALE DRAWING	SCALE: 1:25	
			REVISION: C		SHEET 1 of 3	

BOM				
ITEM NO.	PART NUMBER	DESCRIPTION	Weight kg	NOTES
1	SD-RB-01000	RamShield® W-Beam, 2m Ctrs, 1560 Posts	107.3	(1)
2	GR-MP-BR-0586-AG	Biker-Shield™ Mounting Bracket	2.2	
3	GR-MP-SR-4000-AG	Biker-Shield™ Beam, 4m NLL	21.1	
4	GR-MP-FS-0000-AG	Plate Washer	0.2	
5	GR-FS-16-0050-MZ	M16x50 Mushroom Head POST Bolt Class 4.6 HDG	0.1	
6	GR-FS-16-0000-HG	M16 Hex Nut, 32A/F Oversize, Deep, Class 8, HDG	0.10	
7	GR-FS-16-0032-MG	M16x32 Mushroom Head SPLICE Bolt & Oversize Nut Assy CL8.8	0.2	
8	GE-FS-20-0000-AG	M20 Washer HDG		

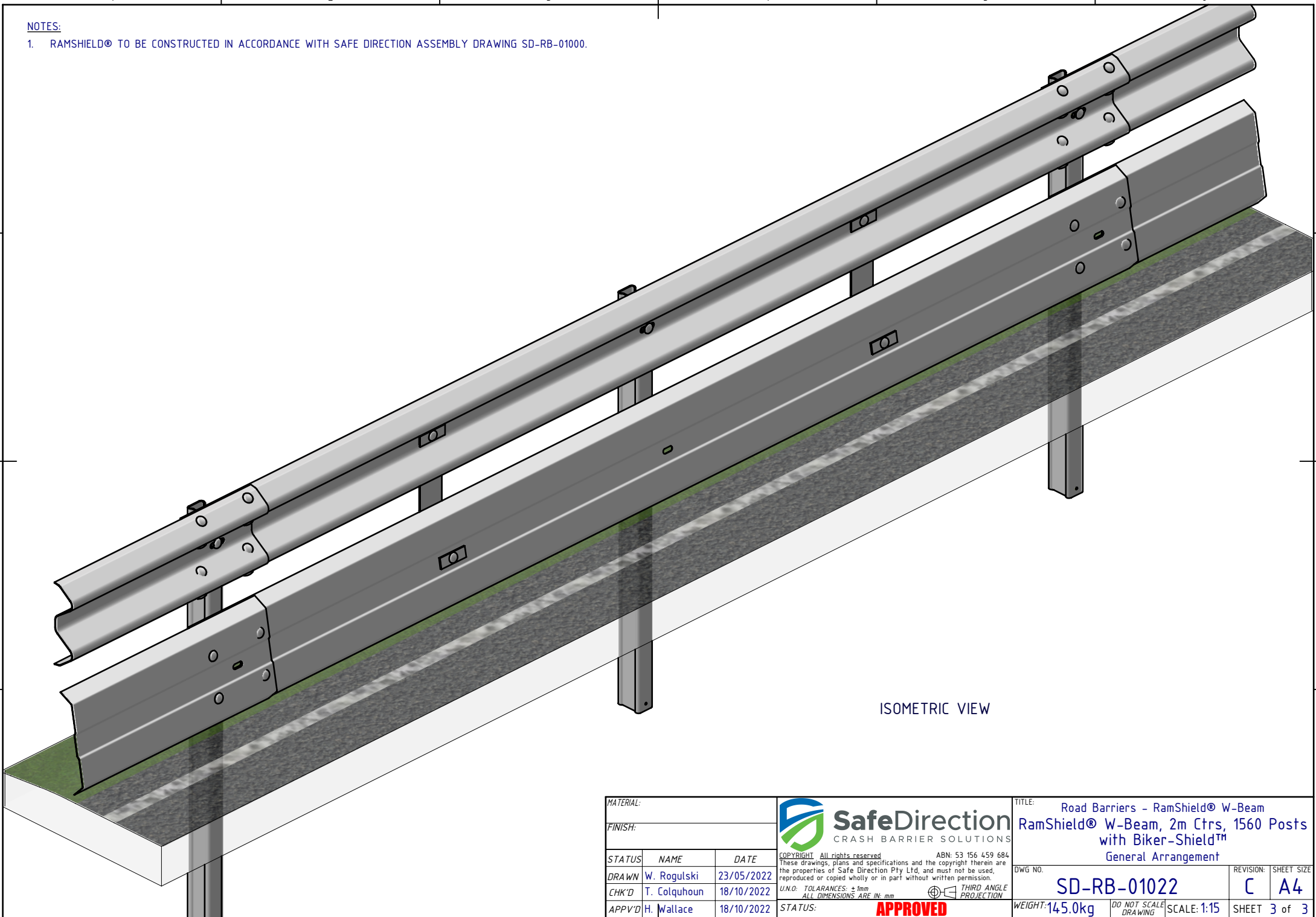


**NOTES:**  
 1. RAMSHIELD® TO BE CONSTRUCTED IN ACCORDANCE WITH SAFE DIRECTION ASSEMBLY DRAWING SD-RB-01000.



MATERIAL:			 <b>SafeDirection</b> CRASH BARRIER SOLUTIONS	TITLE: Road Barriers - RamShield® W-Beam RamShield® W-Beam, 2m Ctrs, 1560 Posts with Biker-Shield™ General Arrangement					
FINISH:				DWG NO. <b>SD-RB-01022</b> REVISION: <b>C</b> SHEET SIZE: <b>A4</b>					
STATUS	NAME	DATE	<small>COPYRIGHT: All rights reserved. ABN: 53 156 459 684</small> <small>These drawings, plans and specifications and the copyright therein are the properties of Safe Direction Pty Ltd, and must not be used, reproduced or copied wholly or in part without written permission.</small> <small>U.N.O. TOLERANCES: ±1mm ALL DIMENSIONS ARE IN: mm</small>			WEIGHT: <b>145.0kg</b>	DO NOT SCALE DRAWING	SCALE: <b>1:20</b>	SHEET <b>2</b> of <b>3</b>
DRAWN	W. Rogulski	23/05/2022	<small>THIRD ANGLE PROJECTION</small> <b>APPROVED</b>						
CHK'D	T. Colquhoun	18/10/2022	STATUS:						
APPV'D	H. Wallace	18/10/2022							

**NOTES:**

1. RAMSHIELD® TO BE CONSTRUCTED IN ACCORDANCE WITH SAFE DIRECTION ASSEMBLY DRAWING SD-RB-01000.



ISOMETRIC VIEW

MATERIAL:			 <b>SafeDirection</b> CRASH BARRIER SOLUTIONS	TITLE: Road Barriers - RamShield® W-Beam RamShield® W-Beam, 2m Ctrs, 1560 Posts with Biker-Shield™ General Arrangement			
FINISH:				DWG NO. SD-RB-01022			
STATUS	NAME	DATE	<small>COPYRIGHT: All rights reserved. ABN: 53 156 459 684          These drawings, plans and specifications and the copyright therein are the properties of Safe Direction Pty Ltd, and must not be used, reproduced or copied wholly or in part without written permission.          U.N.O. TOLERANCES: ±1mm          ALL DIMENSIONS ARE IN: mm</small>  <b>THIRD ANGLE PROJECTION</b>				
DRAWN	W. Rogulski	23/05/2022					
CHK'D	T. Colquhoun	18/10/2022					
APPV'D	H. Wallace	18/10/2022					
STATUS: <b>APPROVED</b>			WEIGHT: 145.0kg	DO NOT SCALE DRAWING	SCALE: 1:15	REVISION: C	SHEET SIZE: A4
<small>C:\Users\wesam\refah\Documents\SDS\Y01\SD\Assembly\SD-RB Road Barriers\SD-RB-01000 RamShield W-Beam\SD-RB-01022 - RamShield W-Beam, 2m Ctrs, 1560mm Posts with Biker-Shield\ Wednesday, 26 March 2025 4:01:05 PM</small>							